



## Linea Pro™ NexusConnect™

### Mobilize your Enterprise

The Linea Pro NexusConnect is a high performance standard and long range scanner designed to work with iOS or Android Devices. This enterprise grade scanner delivers long range (up to 45+ feet), quick, and reliable scans. Internal battery and Qi charging provide additional working time for iOS or Android hand held devices. Designed to survive industrial conditions, the NexusConnect is IP65 rated and drop tested against MIL-STD-810G standards.



Supply Chain



Retail



Travel



Hospitality



Healthcare

Specifications subject to change without notice. Infinite Peripherals, Mobilize Your Enterprise, Linea Pro, Infinea, Infinea Tab and Infinea X are trademarks of Infinite Peripherals, Inc. All other trademarks are the property of their respective owners.



 **STANDARD/EXTENDED RANGE**

Next Generation barcode scanning technologies that allow scanning barcodes reliably from 6 inches to 45+ feet.

 **CERTIFIED-RUGGED**

Form-fitted solution offers IP65 rating to protect against water and dust. It also has drop protection tested against MIL-STD-810G standards.

 **ERGONOMIC DESIGN**

The pistol grip design allows for your employees to naturally move quicker while still staying connected. The lightweight design keeps this device comfortable to carry and easy to operate while maintaining a quick workflow.

 **VERSATILITY**

The NexusConnect is form-factor agnostic and compatible with iOS or Android devices as well as protective cases such as the Otterbox® uniVERSE line. This allows the user to diversify their fleet of mobile devices.

 **COMPREHENSIVE SOFTWARE**

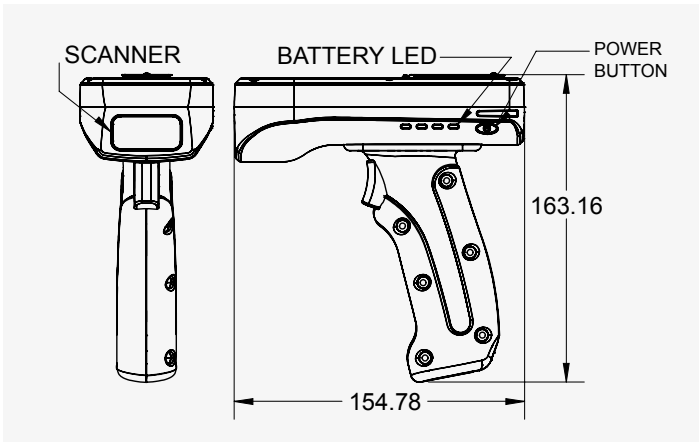
This device is compatible with a range of software platforms and includes an SDK to integrate into existing platforms without difficulty. Our suite of software tools helps you get the most out of your device, from data population to printing.

 **WIRELESS BATTERY SHARING**

The internal battery provides additional charge to wireless charging capable devices. The NexusConnect's large battery is shared with the attached host device through Qi wireless charging. This means that additional cables are not required to charge the iOS or Android device.

-  **Supply Chain**
-  **Retail**
-  **Travel**
-  **Hospitality**
-  **Healthcare**

Specifications subject to change without notice. Infinite Peripherals, Mobilize Your Enterprise, Linea Pro, Infinea, Infinea Tab and Infinea X are trademarks of Infinite Peripherals, Inc. All other trademarks are the property of their respective owners.



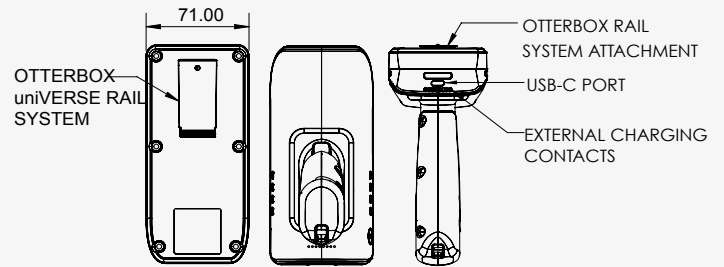
# NexusConnect

## Experience Real Mobility

with the NexusConnect. Its flexible design allows you to seamlessly integrate it into your workflow. The Otterbox uniVERSE rail system allows you to use this device with existing iOS and Android devices. Easily adapt to mobile device form factor updates without having to worry about updating your scanners. Scale resources quickly through your workflow and manage each device, with QuantumIQ.

## Key Features

- Datacapture with any iOS or Android device (using Otterbox® uniVERSE case)
- Wireless Charging
- 6” to 30’ plus scanning range
- Ergonomic Pistol Grip
- Effortless Scanning



## Electrical

Battery	7.2V 3600mAh Li-Po
Bluetooth	BT 5.0 BLE
CLASS 1 Laser	2D Extended Range Imager with LED illumination and Laser dot aimer
Input Power	5VDC @3A(max) 9VDC @3A(max) 15VDC @2A(max) Power Max 30W USB-PD: 12V 1.5A
Indications	LED Array
Output Power	Qi (wireless) Charging 10W
Port	USB-C

## Mechanical

Buttons	On/Off, Scan
Dimensions (LxWxD)	163.16mm x 71mm x 154.78mm 6.42in x 2.79in x 6.09in
Weight	140g 4.93oz

## Environmental

Storage	-20°C to +45°C 5% to 95% RH
Operating	0°C to +35°C 0% to 95% RH

## Certifications

Regulatory	FCC, CE, RoHS, PROP 65
Environmental	1.2m Drop Spec, IP65

Specifications subject to change without notice. Infinite Peripherals, Mobilize Your Enterprise, Linea Pro, Infinea, Infinea Tab and Infinea X are trademarks of Infinite Peripherals, Inc. All other trademarks are the property of their respective owners.